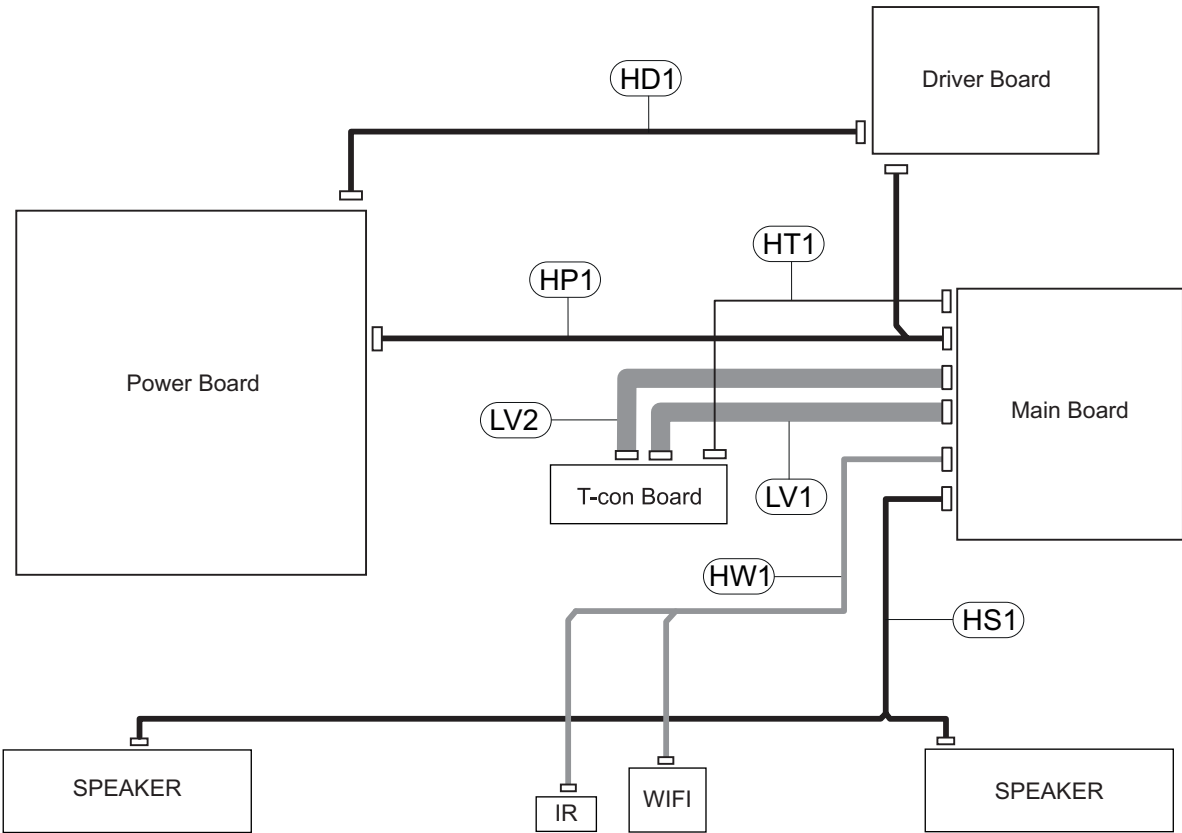
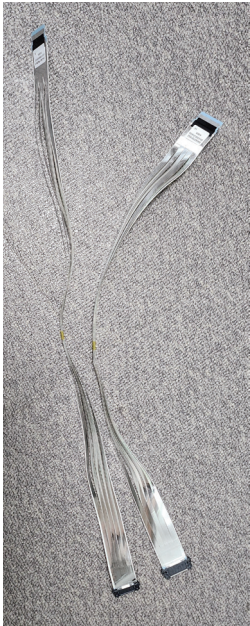


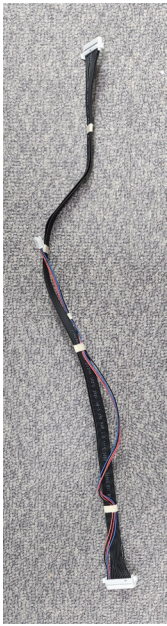
WIRING DIAGRAM



LV2



LV1

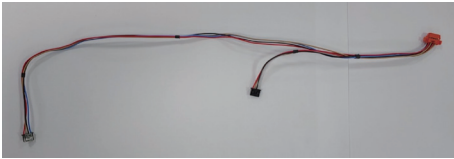


HP1

HT1



HS1



HW1



HD1

